



**Datasheet**

**UM70**

The versatile and resilient filling line for product packagings up to 3 kg and 70 bags per minute.

The ULF-Tec UM70 is the answer to the questions we have collected from our customers over the many years we have been working together. The UM70 has been developed specifically for use under extreme climate conditions. It is reliably functional, gentle on materials, resilient and supports a variety of applications. It also impresses with its intelligent self-cleaning mechanisms, pneumatic technology, centralised lubrication as standard and reinforced tape gears, shafts and bearings.

## Products and Fields of Application

- Filling of dry products (cereals, sugar, flour, pasta, animal feed, granules, etc.)
- Bags for coffee pads can be stacked or in larger quantities
- Machines for pre-fabricated bags with integrated tube-shaped bag machine

## Types of Bag and Packaging

- Sealable stand-up bags
- Suitable for paper packaging and plastic packaging
- Other materials on request

## Basic construction

The ULF-Tec Filling Line's greatest strength is its flexibility thanks to its modular construction and the comprehensive controllability of all of its workflows. The UM70 has a torsion-resistant base frame. Attached to this frame are the cam-powered drive for the bag transport system and the control equipment. The transport system is simplicity itself to operate and can be adjusted to various bag widths without any tools or moulds. Various package sizes can also be handled with ease, as can various materials.

Using various processing stations, the UM70 can be adapted perfectly to customer-specific requirements. These include, for example, the simple folding of bag top edges (with and without securing), fitting of the bags with sheet metal closures or even attaching resealable closures or customised labels and markings. It is also possible to combine this with the UM-V-2300 vertical tube-shaped bag machine.

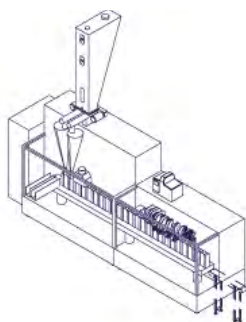
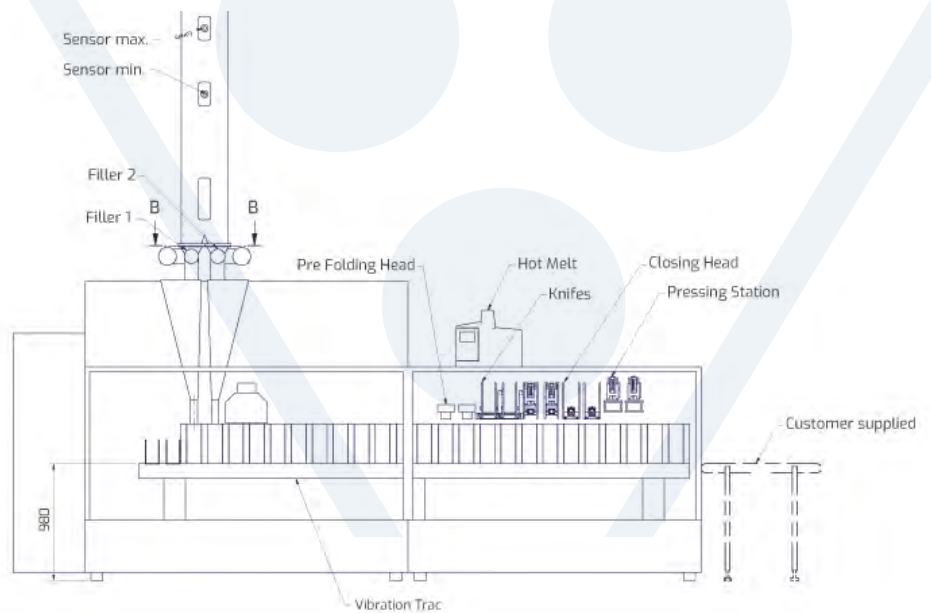
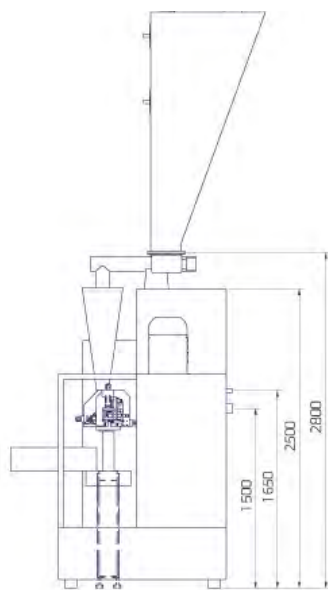
The machine has two dispensers and can process up to 70 bags per minute. It is built with high quality, it is robust and it is therefore long-lasting. The machine components can all be reused in the event of subsequent technical restructuring. Virtually no maintenance or optimisation are required. Should spare parts be needed, these can be provided quickly and reliably. The control technology comes from Siemens and guarantees the best possible functional reliability.

## Operation

The UM70 is operated via a control panel with a 12-inch touch screen. Multiple password-protected operating levels ensures different and custom-protected intervention options. The system's individual functions can be called up using user-friendly menu navigation and set to the product or packaging type required. The control unit is accommodated in a separate control cabinet. A remote maintenance

# Datasheet UM70

module also ensures the correct operation as well as the analysis of production data.



Power Connection  
100V, 50Hz, 20kW

